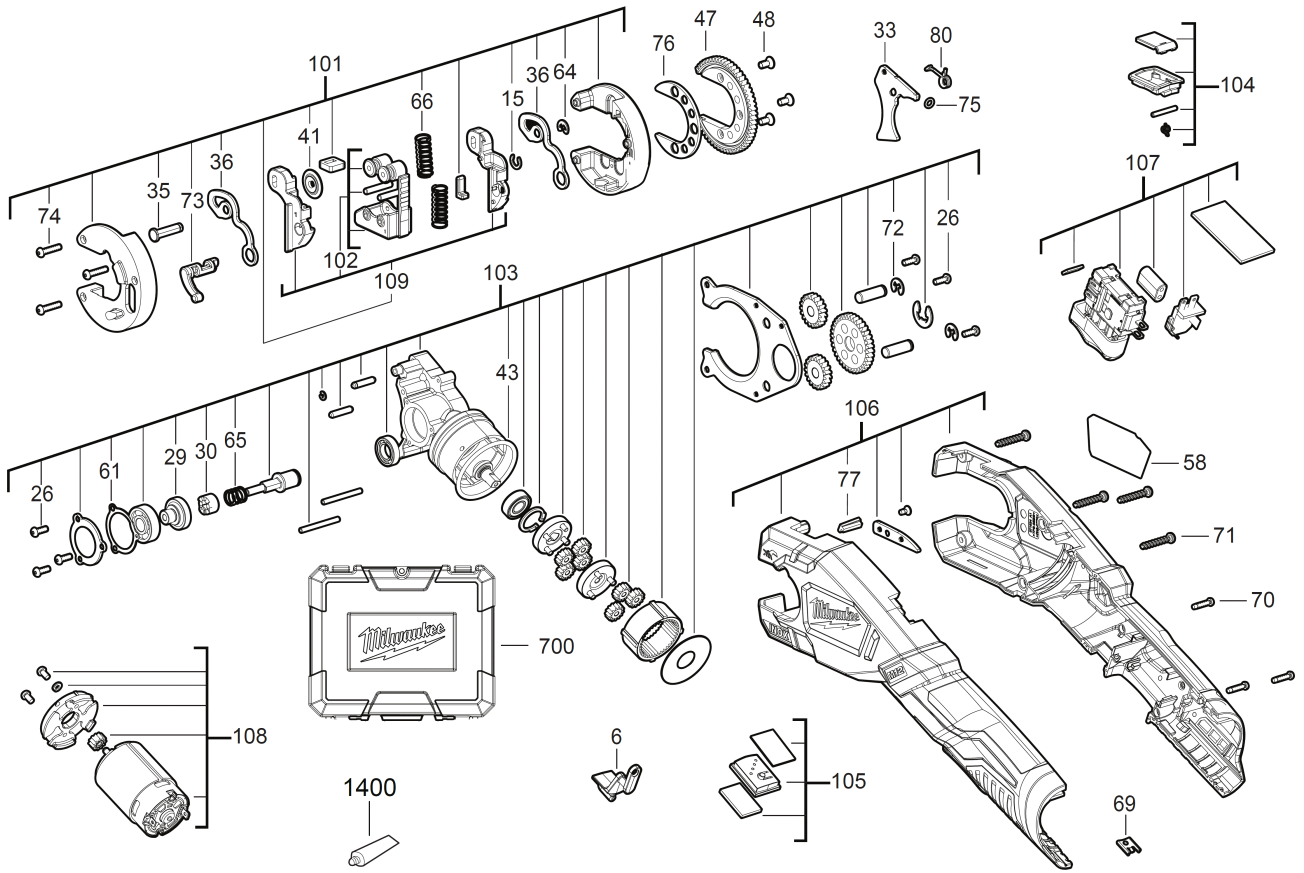


M12PCSS-0 M12 PIPE CUTTER SST XXX

4933479241 - M12PCSS-0 - 4000483470





Position	Quantity	Description	Part number	EAN
0006 1	1	LEVER	4931480539	4058546425548
0015 2	1	SPRING RING	4931461619	4058546038526
0026 3	6	SCREW	4931480540	4058546425555
0029 4	1	BEVEL GEAR	4931480541	4058546425562
0030 5	1	CAM	4931480542	4058546425579
0033 6	1	STOP	4931480543	4058546425586
0035 7	1	AXLE	4931480544	4058546425593
0036 8	2	SPRING	4931480545	4058546425609
0041 9	1	Pipe Cutter Stainless Steel Wheels 2pc	4932479243	4058546370374
0043 10	1	O-RING	4931480547	4058546425623
0047 11	1	GEAR HEAD	4931452657	4002395171682
0048 12	3	SCREW M3,5x8	661292001	4002395828401
0058 13	1	RATING PLATE	4931480548	4058546425630
0061 14	1	GASKET	4931480549	4058546425647
0064 15	1	CIRCLIP	4931480550	4058546425654
0065 16	1	SPRING	4931480551	4058546425661
0066 17	2	SPRING	4931480552	4058546425678
0069 18	1	CONNECTOR	4931436292	4002395252909
0070 19	3	SCREW	661047001	4002395824496
0071 20	4	SCREW	4931480553	4058546425685
0072 21	2	CIRCLIP	4931480554	4058546425692
0073 22	1	CAM SHAFT	4931480555	4058546425708
0074 23	3	SCREW	4931480556	4058546425715
0075 24	1	O-RING	4931480557	4058546425722
0076 25	1	SPACER	4931452660	4002395172313
0077 26	1	RUBBER STOP	4931480558	4058546425739
0080 27	1	SPRING	4931480559	4058546425746
0101 28	1	CUTTING HEAD	4931480560	4058546425753
0102 29	1	ROLLER BRACKET	4931480561	4058546425760
0103 30	1	GEAR BOX ASSY	4931480562	4058546425777
0104 31	1	CAP	4931480563	4058546425784
0105 32	1	ELECTRONIC	4931480564	4058546425791
0106 33	1	HOUSING	4931480565	4058546425807
0107 34	1	ELECTRONIC	4931480566	4058546425814
0108 35	1	MOTOR	4931480567	4058546425821
0109 36	1	SET	4931480848	4058546428631
0700 37	1	CARRYING CASE	4931480568	4058546425838
1400 38	1	OIL	4931491278	4058546429249